

Part Number: PT938-00140
PTR60-89190

Kit Contents

Item #	Quantity Req'd.	Description
1	1	TRD Skid Plate (w/ 2 Bolts)
2	1	Hardware Kit
3	1	Instruction Form

Hardware Bag Contents

Item #	Quantity Req'd.	Description
1	2	Bolt
2		
3		

Additional Items Required For Installation

Item #	Quantity Req'd.	Description
1		
2		
3		

Conflicts

KDSS Sway Bar System (4Runner)

Recommended Tools

Personal & Vehicle Protection	Notes
None	
Special Tools	Notes
None	
Installation Tools	Notes
Sockets	10,12,14mm
Ratchet	
Torque Wrench	
Clip Removal Tool	(4Runner Only)
Special Chemicals	Notes
None	

General Applicability

All models w/o KDSS

Recommended Sequence of Application

Item #	Accessory
1	TRD Suspension Kit
2	
3	

*Mandatory

Vehicle Service Parts (may be required for reassembly)

Item #	Quantity Req'd.	Description
1		
2		
3		

Legend



STOP: Damage to the vehicle may occur. Do not proceed until process has been complied with.



OPERATOR SAFETY: Use caution to avoid risk of injury.



CAUTION: A process that must be carefully observed in order to reduce the risk of damage to the accessory/vehicle and to ensure a quality installation.



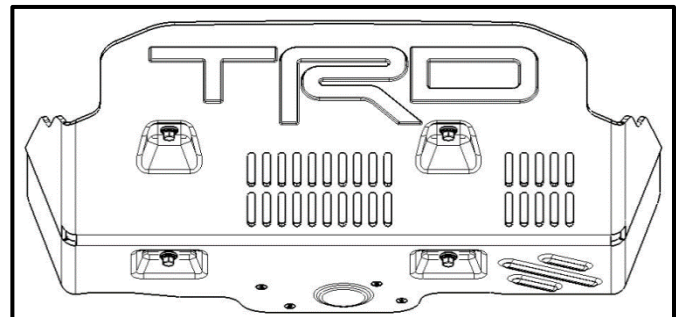
TOOLS & EQUIPMENT: Used in Figures calls out the specific tools and equipment recommended for this process.



REVISION MARK: This mark highlights a change in installation with respect to previous issue.



SAFETY TORQUE: This mark indicates that torque is related to safety.



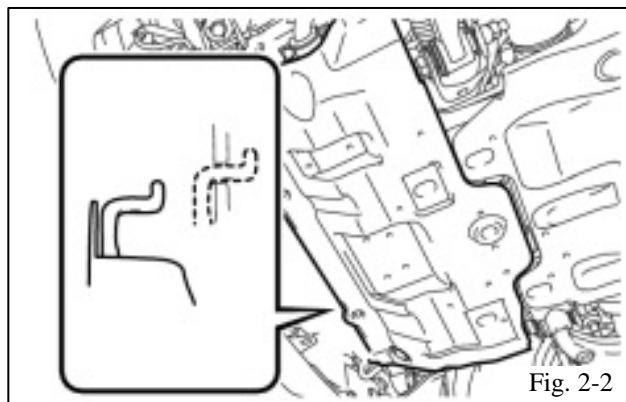
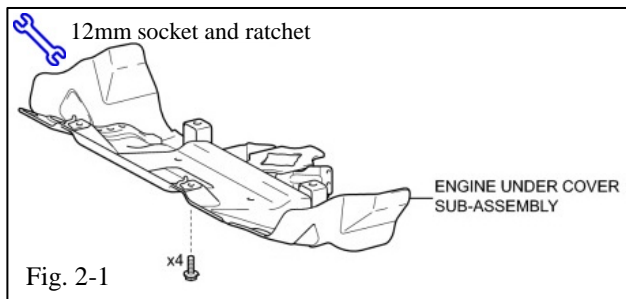
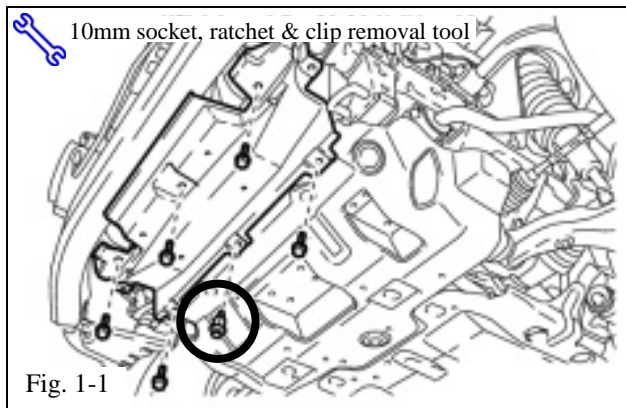
Care must be taken when installing this accessory to ensure damage does not occur to the vehicle. The installation of this accessory should follow approved guidelines to ensure a quality installation.

These guidelines can be found in the "Accessory Installation Practices" document.

This document covers such items as:-

- Vehicle Protection (use of covers and blankets, cleaning chemicals, etc.).
- Safety (eye protection, rechecking torque procedure, etc.).
- Vehicle Disassembly/Reassembly (panel removal, part storage, etc.).
- Electrical Component Disassembly/Reassembly (battery disconnection, connector removal, etc.).

Please see your Toyota dealer for a copy of this document.



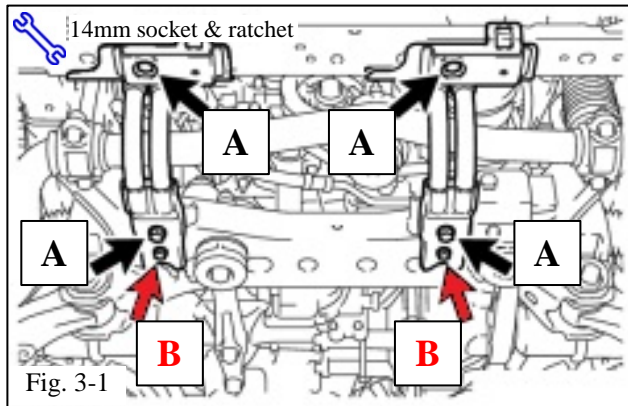
1. Remove the Front Bumper Lower Cover (4Runner Only).

- STOP** (a) For FJ Cruiser, proceed to Step2.
- (b) For 4Runner, remove the clip (circled), 5 bolts and the front lower bumper cover (Fig. 1-1).
- (c) Discard the cover and fasteners.

2. Remove No.1 Engine Under Cover Sub-Assembly.

- (a) Remove and discard the 4 bolts (Fig. 2-1).
- CAUTION:** The engine under cover sub-assembly may fall if it is not held while removing the last bolt.

- (b) Unhook the No. 1 engine under cover sub-assembly from the vehicle body and discard it (Fig. 2-2).



3. Remove the Bolts From the Member Braces.

- Remove and discard the forward 4 bolts from the member braces (Black Arrows, Marked A, Fig. 3-1).

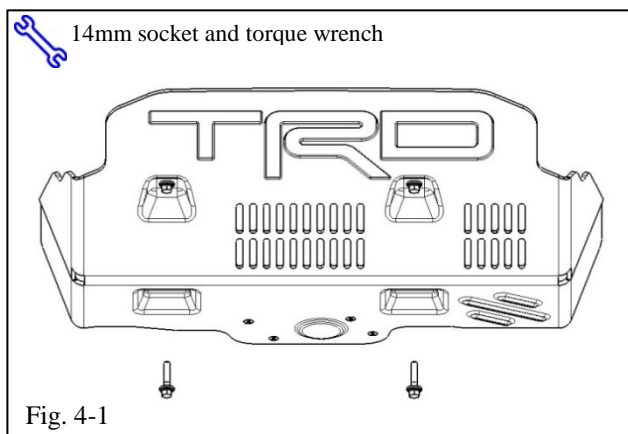
STOP NOTE: Do not remove the rearward most 2 bolts (Red Arrows, Marked B).

CAUTION: Do not remove the member braces.


4. Install TRD Front Skid Plate.

- Install the TRD Skid Plate to the vehicle using the two front bolts attached on the Skid Plate.
- Install the 2 supplied rear bolts (Fig 4-1).
- Torque all 4 bolts.

S Torque: 30 N·m (306 kgf·cm, 22ft·lbf)



Checklist - these points **MUST** be checked to ensure a quality installation.

<u>Check:</u>	<u>Look For:</u>
<p><u>Accessory Function Checks</u></p> <ul style="list-style-type: none"><input type="checkbox"/> Bolt torque<input type="checkbox"/><input type="checkbox"/><input type="checkbox"/>	<p> 30 N·m (306 kgf·cm, 22ft·lbf)</p>
<p><u>Vehicle Function Checks</u></p> <ul style="list-style-type: none"><input type="checkbox"/><input type="checkbox"/><input type="checkbox"/>	
<p><u>Vehicle Appearance Check</u></p> <ul style="list-style-type: none"><input type="checkbox"/> After accessory installation and removal of protective cover(s), perform a visual inspection.	<p>Ensure no damage (including scuffs and scratches) was caused during the installation process. (For PPO installations, refer to TMS Accessory Quality Shipping Standard.)</p>